



Declaration of Conformity

Operating Instructions

Spare Part List

UK



HE-VA Vip-Roller 3.3 – 4.5 m



N. A. Christensensvej 34
DK-7900 Nykøbing Mors
Tel: 9772 4288
Fax: 9772 2112
www.he-va.com

Contents

	Declaration of Conformity	4
1.	Delivery Check	5
2.	Operating Instructions	
	2.1. .. Attachment	5
	2.2. .. Transport	6
3.	Maintenance	6
4.	Spare Part List	
	4.1. .. Tail.....	7
	4.2. .. Centre Frame/Side Section.....	9
	4.3. .. Roller Block 3.3 – 4.5 m	11
5.	Notes	13

DS/EN 45 014

Declaration of Conformity

HE-VA A/S
N. A. Christensensvej 34,
DK-7900 Nykøbing Mors

declares under our sole responsibility that the product:

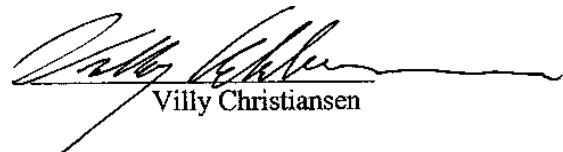
Vip-Roller 2000 : 3.3/3.7/4.1/4.5 m

Types: 4331, 4332, 4333, 4335, 4336, 4337
4371, 4372, 4373, 4375, 4376, 4377
4411, 4412, 4413, 4415, 4416, 4417
4451, 4452, 4453, 4455, 4456, 4457,

to which this declaration relates is
in conformity with the provisions of

98/392/EEC (Machinery) Directive with later amendments.

Nykøbing Mors 24/1 2003



Villy Christiansen

1. Delivery Check

Check the roller for any damages. Check the hydraulic hoses for cuts and squeezing damages. Check also that the other hydraulic components have not been damaged during transport.

Check that the frame construction has not been damaged. You should also check that the roller blocks have not been exposed to impacts, which may have damaged the cast roller rings or the double-sealed ball bearings.

Finally check that the transport wheels are tightened and OK. Check the air pressure:

$$200/60 \times 14,5 - 10\text{pr.} = 4 \text{ bar}/55 \text{ psi}$$

2. Operating Instructions

2.1 Attachment

On delivery the roller is in transport position. At start-up the roller is attached to the tractor.

Important:

Check that the towing hook height is between **400 and 500 mm.**

Raise the support leg and located it in the transport fittings of the tail.

Now mount the hydraulic hoses (3) in the tractor PTO.

Important:

Check that the factory-mounted male ends fit the female ends of the tractor.

Now pressurise the tip cylinder (red) so that the side sections are tipped free of the transport fittings. Then pressurise the side sections (blue) so that the sections are turned backward, as far as possible.

Then unpressurise the tip cylinder and the roller will tip forward down to working position. When the Tip-Cylinder is totally down, let the hydraulic lever go and the roller is ready for use.

Important:

For the first change-over, the attachment of the centre section against the tail shall be adjusted so that the roller sections are **horizontal in driving direction.**

2.2 TRANSPORT

At change-over for transport, the roller is tipped totally backward by pressurising the tip cylinder.

Now pressurise the side section cylinder so that these turn forward, towards the stop on the transport fittings of the tail.

When both sides lie in parallel with the tail, they are lowered down into the transport fittings by unpressurising the tip cylinder.

Now relieve the hydraulics totally, and the roller is ready for transport.

3. Maintenance

- A. After approximately 10 hours of operation, the wheels, ball bearings and stop rings shall be retightened. Check hoses, fittings and cylinders for any leaks and retighten.
- B. After every approximately 30 hours of operation, lubricate the tip cylinder rivets and the two lubricating points of the side sections with grease.
- C. After the season, clean the roller and lubricate with grease and oil.

Important:

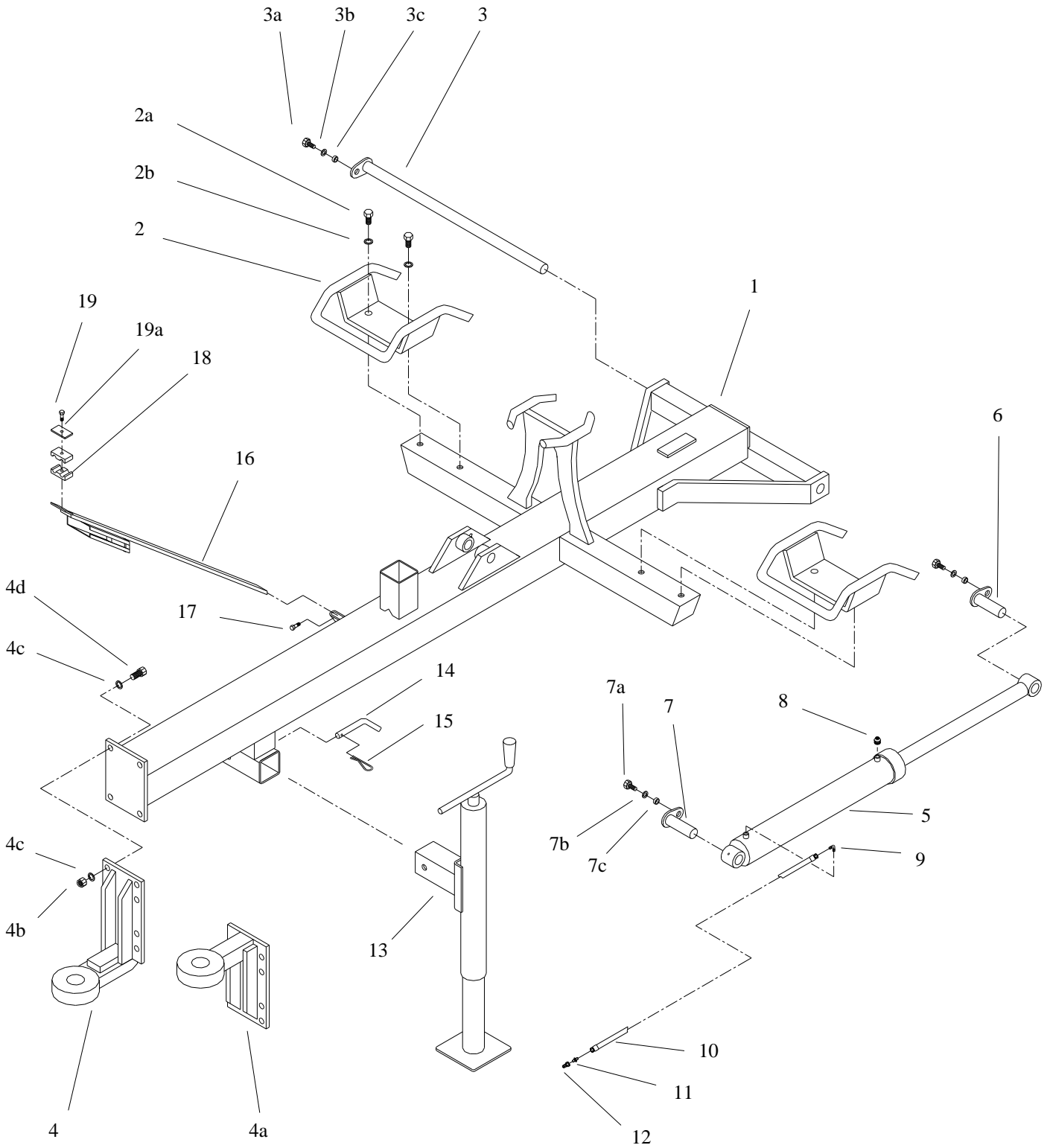
Lubricate the bright piston rod with grease.

Important:

The hydraulic system has been filled with oil, type **Hydro Texaco HD 32**

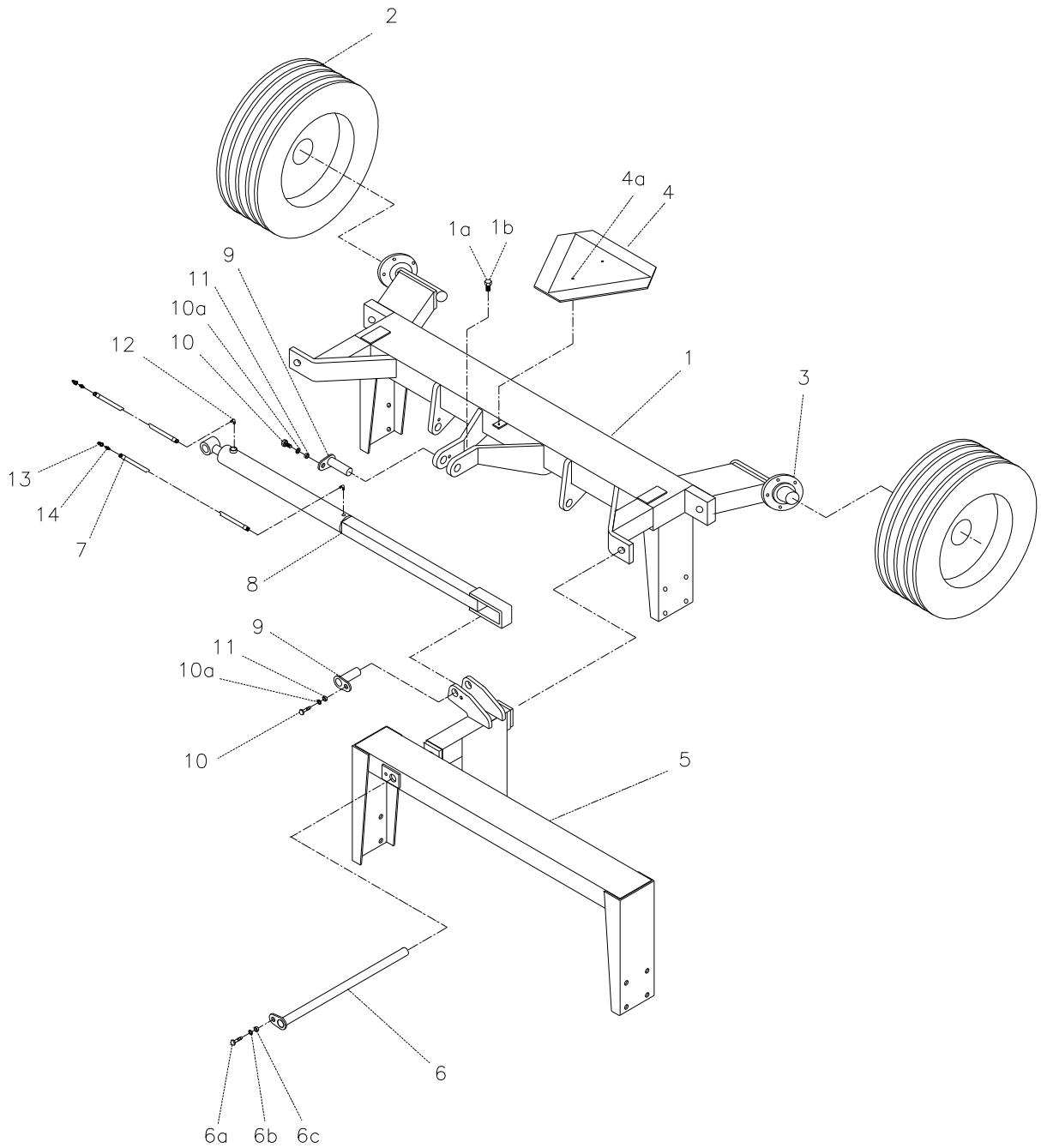
4. Spare Part List

4.1 Tail



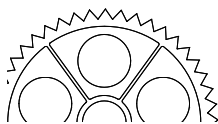
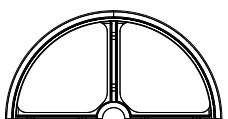
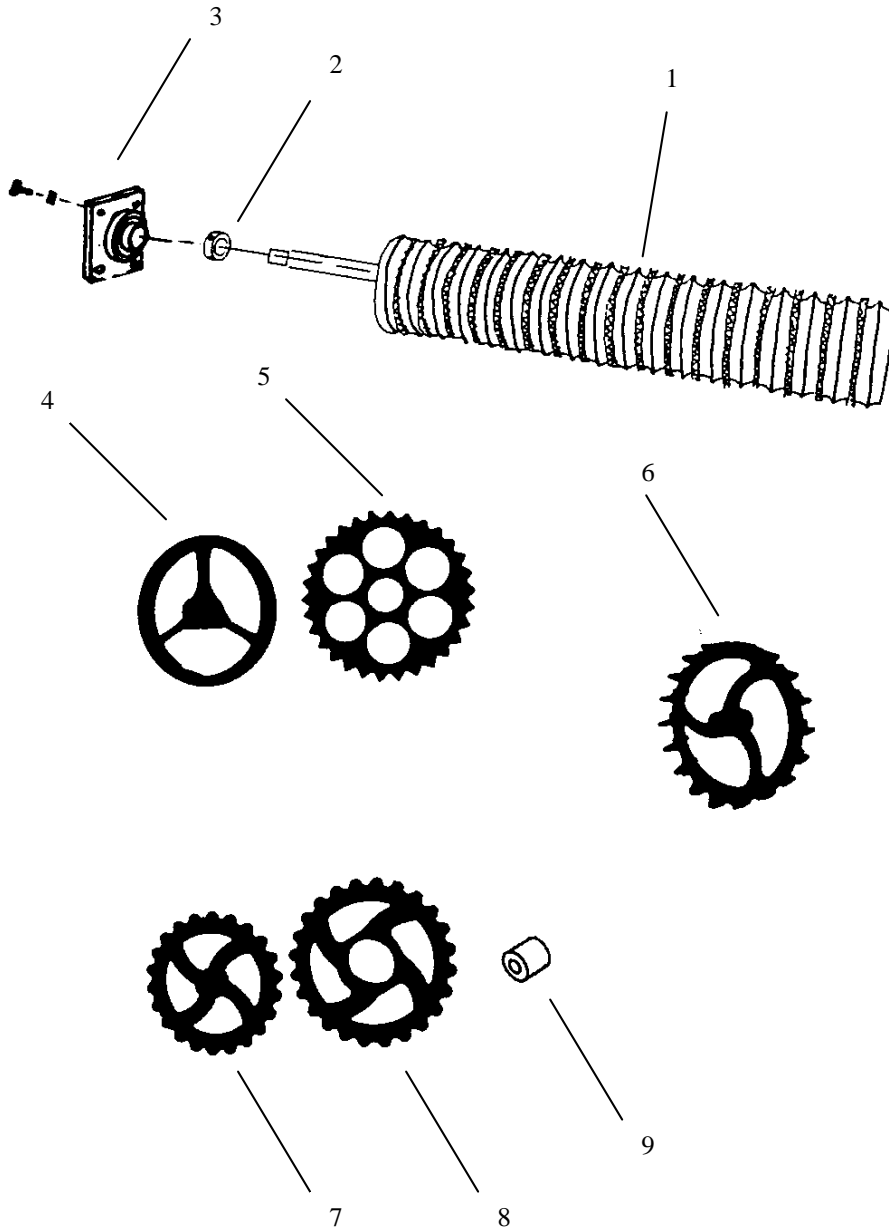
Pos	Item No.	Designation	Qty.
1	63163 1000	Tail 3.3 – 4.5m	1
2	63153 0200	Transport fittings Ø380 / 450mm	2
2	63153 0030	Transport fittings Ø500 / 550mm / Crosskill	2
2a	69010 1143	Bolt M16 x 35mm	4
2b	69011 7013	Faceted disc Ø16	4
3	63163 0500	Rivet Ø30mm L= 690mm	1
3a	69010 1101	Bolt M12 x 25mm	1
3b	69011 7014	Faceted disc Ø12mm	1
3c	630532600	Lock sleeve for rivet	1
4	63163 0300	Hitch hook DK/N	1
4a	63163 0400	Hitch hook D	1
4b	69011 3008	Lock nut M16	4
4c	69011 7013	Faceted disc Ø16mm	8
4d	69010 3127	Bolt M16 x 50mm	4
5	69020 0060	Cylinder 70/40x500 complete (Red)	1
6	63163 0510	Rivet Ø30mm L= 95mm	1
7	63163 0520	Rivet Ø30mm L= 135mm	1
7a	69010 3090	Bolt M12 x 25mm	2
7b	69011 7014	Faceted disc Ø12mm	2
7c	630532600	Lock nut for rivet	2
8	69020 6001	Filter plug F38 x 3/8"	1
9	69020 3006	Angle joint VA10LK 3/8"	1
10	69020 1060	Hydraulic hose L= 3000mm	1
11	69020 3003	Straight joint GA10LR 1/2"	1
12	69020 3001	Quick-coupling male E402	1
13	69014 1100	Support leg	1
14	63055 2100	Rivet Ø16mm	1
15	69013 3005	Hairpin split Ø4.5 mm	1
16	63077 1200	Hose support	1
17	69010 1080	Bolt M10x25	2
18	69021 0210	Hose support 2 x Ø14mm complete	2
19	69010 3055	Bolt M8x65	1
19a	69021 0211	Top plate	1

4.2 Centre Frame/Side Section

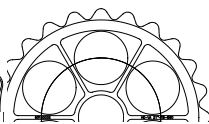
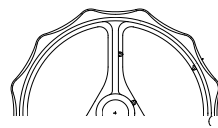


Pos.	Item No.	Designation	Qty.
1	63163 0900	Centre frame 3.3 / 4.5m	1
1a	69010 1146	Stop bolt M16 x 50mm	1
1b	69011 2008	Lock nut M16	1
2	69014 1007	Wheel 200/60 x 14,5 – 10PR.	2
3	69014 1022	Hub 1000kg 5-102-140	2
3a	69014 1040	Hub bolt M12x1.5x36	10
3b	69014 1056	Hub nut M12x1.5	10
3c	69014 0305	Bearing 6205	2
3d	69014 0307	Bearing 6207	2
3e	69014 1076	Sealing cap	2
3f	69014 1077	Sealing ring	2
3g	69014 1036	Hub cap Ø52mm	2
4	69014 2001	Warning triangle	1
4a	69010 1024	Bolt M6x20mm w/lock nut	2
5	63163 3033	Side section 3.3m	2
5	63163 3037	Side section 3.7m	2
5	63163 3041	Side section 4.1m	2
5	63163 3045	Side section 4.5m	2
6	63163 0540	Rivet Ø30mm L= 630mm	2
6a	69010 1101	Bolt M12 x 25mm	2
6b	69011 7014	Faceted disc Ø12mm	2
6c	630532600	Lock sleeve for rivet	2
7	69020 1003	Hydr. hose L= 4550mm	2
8	63163 2200	Hydr. cylinder 60/30 x 500 (Blue)	1
8a	69020 0071	Cylinder tube 60/30 x 500	1
8b	69020 0072	Piston rod 60/30 x 500	1
8c	69020 0073	Piston 60/30	1
8d	69020 0079	Lock nut 60/30	1
8e	69020 0075	Packing box 60/30	1
8f	69020 0076	Packing seal 60/30	1
9	63163 0530	Rivet Ø30mm L= 90mm	3
10	69010 1101	Bolt M12 x 25mm	3
10a	69011 7014	Faceted disc Ø12mm	3
11	630532600	Lock sleeve for rivet	3
12	69020 3006	Angle joint VA10LK 3/8"	2
13	69020 3001	Quick-coupling male E402	2
14	69020 3003	Straight joint GA10LR 1/2"	2

4.3 Roller Block 3.3 – 4.5 m



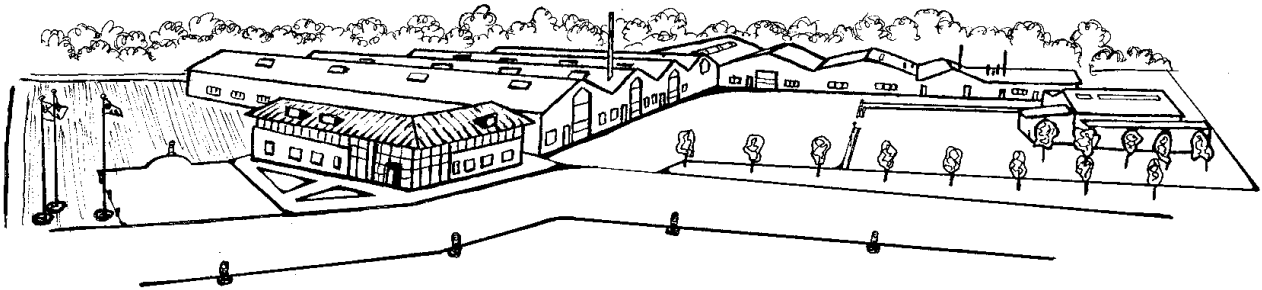
Aggressive



Lenient

Pos.	Item No.	Designation/Dimension	Qty. 3.3	Qty. 3.7	Qty. 4.1	Qty. 4.5
1	678541736	Axle f/centre section Ø50 ST70 L=1736 3.3-4.5 m	1	1	1	1
1	678541136	Axle f/side section Ø50 ST70 L=1136 3.3 m	2	0	0	0
1	678541336	Axle f/side section Ø50 ST70 L=1336 3.7 m	0	2	0	0
1	678541536	Axle f/side section Ø50 ST70 L=15364.1 m	0	0	2	0
1	678541736	Axle f/side section Ø50 ST70 L=17364.5 m	0	0	0	2
1	678651736	Axle f/centre section Ø60 ST70 L=17363.3-4.5 m	1	1	1	1
1	678651136	Axle f/side section Ø60 ST70 L=1136 3.3 m	2	0	0	0
1	678651336	Axle f/side section Ø60 ST70 L=1336 3.7 m	0	2	0	0
1	678651536	Axle f/side section Ø60 ST70 L=15364.1 m	0	0	2	0
1	678651736	Axle f/side section Ø60 ST70 L=1736 4.5 m	0	0	0	2
2	630552300	Stop ring w/bolts.....3.3 – 4.5m	6	6	6	6
3	690140075	Ball bearing UCF209 ø45mm 4 holes3.3 – 4.5 m	6	6	6	6
4	690150001	Cambridge smooth ring 15" (Ø50) Aggressive	33	37	41	45
5	690150004	Cambridge serrated ring 15" (Ø50) Aggressive	30	34	38	42
4	690150031	Cambridge smooth ring 18" (Ø50) Lenient	33	37	41	45
4	690150017	Cambridge smooth ring 18" (Ø50) Aggressive	33	37	41	45
4	690150039	Cambridge smooth ring 18" (Ø60) Lenient	33	37	41	45
5	690150033	Cambridge serrated ring 18" (Ø50) Lenient	30	34	38	42
5	690150018	Cambridge serrated ring 18" (Ø50) Aggressive	30	34	38	42
5	690150040	Cambridge serrated ring 18" (Ø60) Lenient	30	34	38	42
4	690150019	Cambridge smooth ring 21" (Ø50) Aggressive	33	37	41	45
4	690150030	Cambridge smooth ring 21" (Ø60) Lenient	33	37	41	45
4	690150024	Cambridge smooth ring 21" (Ø60) Aggressive	33	37	41	45
5	690150009	Cambridge serrated ring 21" (Ø50) Aggressive	30	34	38	42
5	690150032	Cambridge serrated ring 21" (Ø60) Lenient	30	34	38	42
5	690150025	Cambridge serrated ring 21" (Ø60) Aggressive	30	34	38	42
6	690150007	Cam ring 22" (Ø50)	22	25	28	30
7	690150010	Crosskill ring Ø 485 mm (Ø50)	18	20	22	24
7	690150034	Crosskill ring Ø 485 mm (Ø60)	18	20	22	24
8	690150011	Loose Crosskill ring 530 mm	15	17	19	21
9	690150012	Hub for loose Crosskill ring Ø50	15	17	19	21
9	690150035	Hub for loose Crosskill ring Ø60	15	17	19	21

5. Notes



The design is subject to modification without notice.