



Declaration of Conformity

Operating Instructions

Spare Part List

UK



HE-VA Vip-Roller 5.4 – 6.3 m



N. A. Christensensvej 34
DK-7900 Nykøbing Mors
Tel: 9772 4288
Fax: 9772 2112
www.he-va.com

Contents

	Declaration of Conformity	3
1.	Delivery Check	4
2.	Specifications	4
3.	Operating Instructions	
	3.1 Attachment	5
	3.2 Transport	5
4.	Maintenance	
	4.1 Rolling.	6
	4.2 Lubrication	6
5.	Spare Part List	
	5.1 Tail, Chassis, Centre Section, Wheel Frame etc.	7
	5.2 Axles and Bearings.....	10
	5.3 Roller Rings.....	11
	5.4 Hydraulics	13
6.	Hydraulic Diagram	
	6.1 Hydraulic diagram for 5.4 and 6.3 m.....	14
7.	Notes	15

DS/EN 45 014

Declaration of Conformity

HE-VA A/S
N. A. Christensensvej 34,
DK-7900 Nykøbing Mors

declares under our sole responsibility that the product:

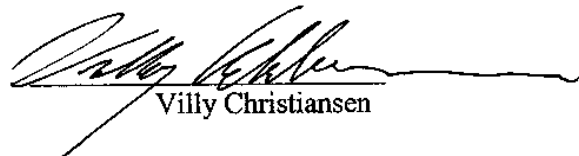
Vip-Roller 5.4 / 6.3 m

Types 4542, 4543, 4544, 4545, 4546, 4547
4632, 4633, 4634, 4635, 4636, 4637,

to which this declaration relates
is in conformity with the provisions of

98/392/EEC (Machinery) Directive with later amendments.

Nykøbing Mors 11.02.03


Villy Christiansen

1. Delivery Check

Check the roller for any damages. Check the hydraulic hoses for cuts and squeezing damages. Check also that the other hydraulic components have not been damaged during transport.

Check that the frame construction has not been damaged. You should also check that the roller blocks have not been exposed to impacts, which may have damaged the cast roller rings or the double-sealed ball bearings.

Finally check that the transport wheels are tightened and OK.

Check the air pressure in the tyres: approx. 3.8 bar / 55 psi

2. Specifications

3-section hydraulic wheel-mounted field roller with free movability in all sections. Used for rolling of stones and packing of the top soil. The roller is available with a working width of 5.4 m or 6.3 m and with three different ring types: Cambridge, cam and Crosskill rings.

Technical Specifications

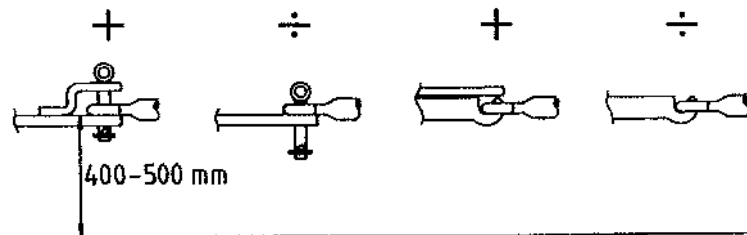
Working Width.....	5.4 / 6.3 m
Total width (folded out)	5.7 / 6.6 m
Length.....	3.4 / 3.8 m
Transport width	2.45 m
Transport height	1.60 m
Pressure on pintle eye in transport position (% of total weight)	approx. 40 %
Wheel assembly, standard	10.0/80 x 12.8 PR
Tyre pressure	3.8 bar / 55 psi
Requirement for tractor hydraulics:	
Oil pressure	min. 150 bar
PTO	1 single-acting and 1 double-acting PTO
Quick-couplings, standard.....	Sterling type E 402
Hydraulic oil: The system is filled with	Agip OSO 32

	Width 5.4 m		Width 6.3 m	
	Qty. Rings	Weight kg	Qty. Rings	Weight kg
Ring type				
Cambridge, ø45 cm/18"	105	1840	129	2460
Cambridge, ø51 cm/21"	105	2015	129	2670
Cam, ø55 cm	36	1530	42	2120
Crosskill, ø48/ø53 cm	54	1980	63	2550

3. Operating Instructions

3.1 Attachment

On delivery the roller is in transport position. When the roller is attached, check that the towing hook height is 400-500 mm. Reverse the tractor, put in and secure the draw bolt.



Raise the support leg and place it in the transport fittings on top of the tail. Now fit the three hydraulic hoses. The roller requires one double-acting and one single-acting PTO.

Now fit the hydraulic in the tractor PTO. **Important:** Check that the male end mounted by the factory fits the female end of the tractor.

Now pressurise the tip cylinder so that the side sections are tipped free of the transport fittings. Then the side sections are turned out by means of the wing cylinder.

Now the roller is hydraulically tipped into working position by means of the tip cylinder.

3.2 Transport

At change-over for transport, the roller is tipped totally backward by pressurising the tip cylinder. Now pressurise the wing cylinder so that the side sections turn forward, towards the stop on the transport fittings of the tail.

When both sides lie in parallel with the tail, they are lowered down into the transport fittings by unpressurising the tip cylinder.

Now relieve the hydraulics totally, and the roller is ready for transport.

4. Maintenance

- A. After approximately 10 hours of operation, the wheels, ball bearings, check pawl console and stop rings shall be retightened. Check hoses, fittings and cylinders for any leaks and retighten.
- B. After every approximately 30 hours of operation, lubricate the tip cylinder rivets and the two lubricating points of the side sections with grease.
- C. After the season, clean the roller and lubricate with grease and oil.

NOTE:

The double-sealed ball bearing should only be greased 1-2 strokes so that the sealing rings are not pressed out.

4.1 Rolling

Speed: max. 10 km/h.

When turning, drive in wide curves as far as possible. The turning should not be performed so sharply that all roller rings cannot still rotate forward.

Only lower the wheels in connection with folding up for transport position.

Do not drive over large and earthfast stones.

4.2 Lubrication

After every 10 hours of operation, lubricate

- the suspension of the individual roller sections
- the hinges of the outer sections on the inner section.

After every 30 hours of operation, lubricate

- the vertical hinge of the inner wings
- the ball bearings
- the cylinders
- the hinges of the wheel frame on the chassis

Once a year, lubricate

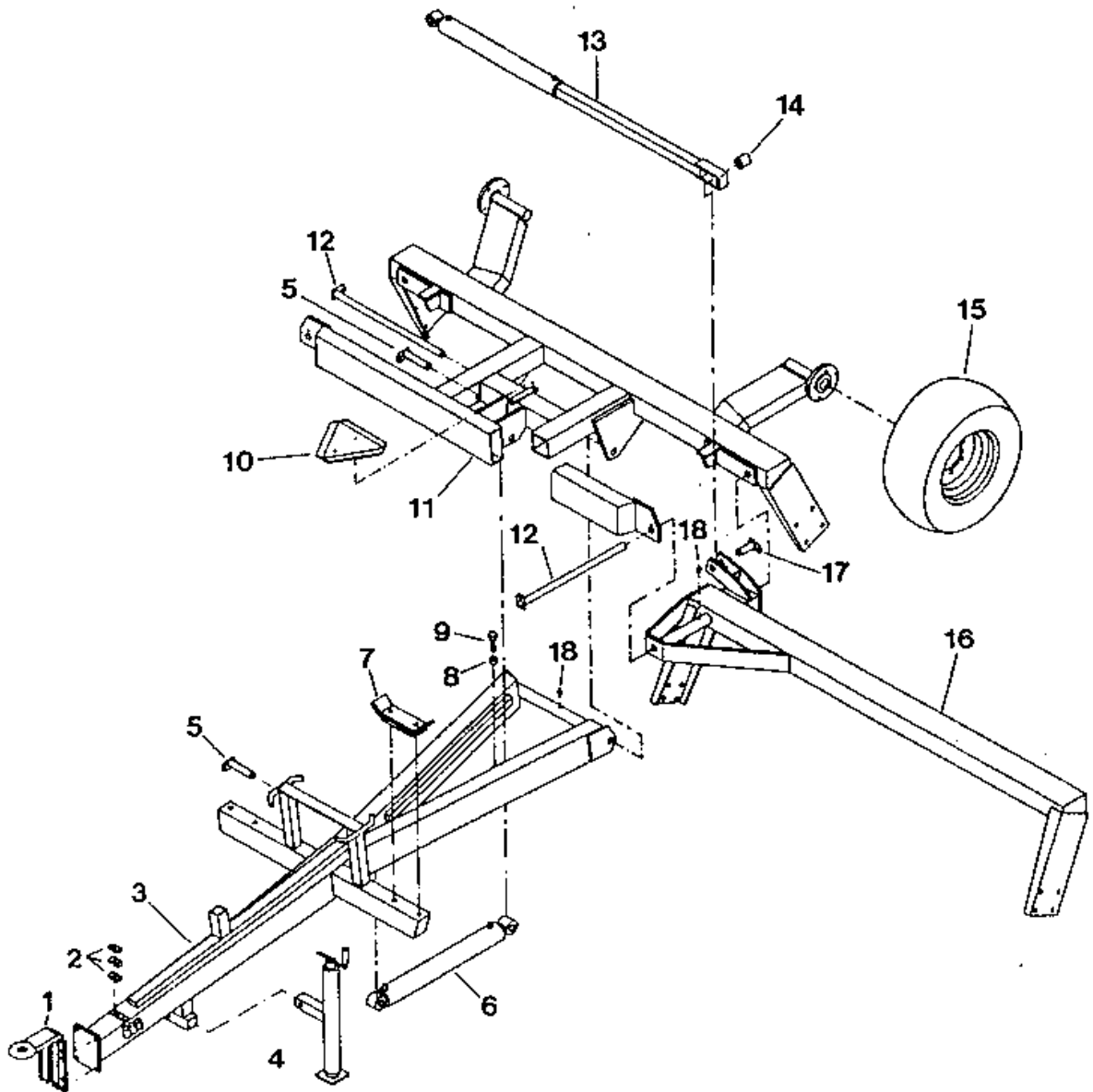
- the support leg

IMPORTANT

Only lubricate the ball bearings 1-2 strokes as the sealing rings may otherwise be pushed out.

5. Spare Part List

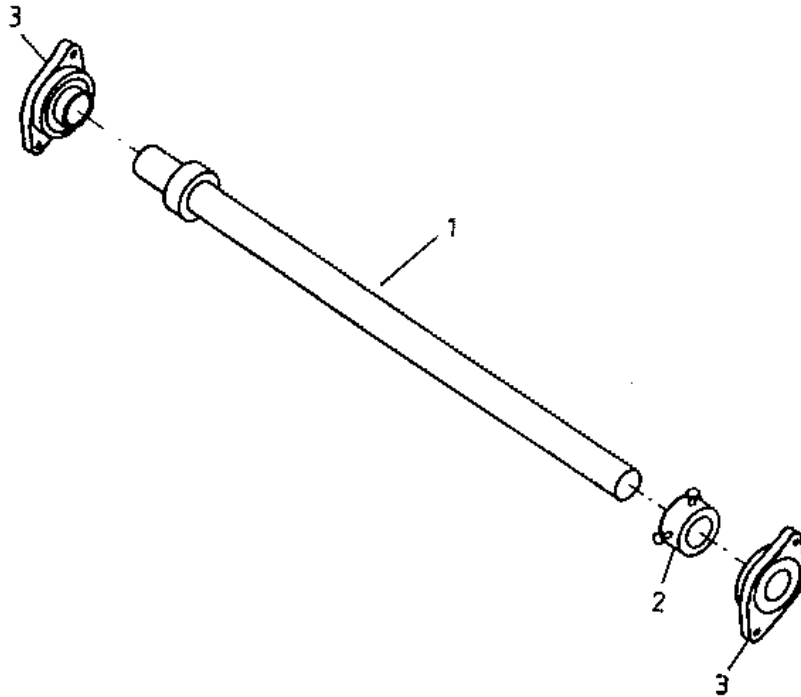
5.1 Tail, Chassis, Centre Section, Wheel Frame, etc.



Pos.	Item. No. 5,4m	Item. No. 6,3m	Destination	Qty.
1	631630400	631630400	Hitch hook D	1
1	631630300	631630300	Hitch hook DK	1
1a	690103126	690103126	Bolt M16x45	4
1b	690113008	690113008	Self-locking nut M16	4
2	690210210	690210210	Double hose support ø14 mm	2
2	690210211	690210211	Top plate	2
2a	690102050	690102050	Bolt M8x35	2
3	630640100	630650100	Tail	1
4	690141100	690141100	Support leg	1
4a	630552100	630552100	Support leg rivet ø16	1
4b	690133005	690133005	Split-pin ø4 mm	1
5	630554300	630554300	Rivet ø30 L=135 mm	3
5a	690101101	690101101	Bolt M12x25	2
5b	630532600	630532600	Locking sleeve for rivet head	2
6	690200120	690200120	Cylinder 80/40x600 ø30/ø30	1
7	630530300	630530300	Transport fittings ø470 mm	2
7	630530400	630530400	Transport fittings ø530 mm	2
7	630530500	630530500	Transport fittings ø550 mm	2
8	690112009	690112009	Nut M20	1
9	690101164	690101164	Bolt M20x60	1
10	690142001	690142001	Warning triangle	1
10a	690103015	630103015	Bolt M5x25	2
10b	690117002	690117002	Faceted disc ø5	2
10c	690113002	690113002	Self-locking nut M5	2
11	630650200	630650200	Centre frame for shaft ø50	1
11	630651000	630651000	Centre frame for shaft ø60	1
11a	690141023	690141023	Hub 3552, 5/102/140 complete	2
11b	690141040	690141040	Hub bolt M12x1,5x31	10
11c	690141055	690141055	Hub nut	10
11d	690140101	690140101	Bearing 30206	2
11e	690140103	690140103	Bearing 30208	2
11f	690141075	690141075	Sealing ring	2
11g	690141035	690141035	Hub cover	2
12	630650700	630650700	Rivet ø30 L=685	1
12a	690101101	690101101	Bolt M12x25	2
12b	630532600	630532600	Locking sleeve for rivet head	2
13	630650500	630650500	Wing cylinder 70/40x600, ø30	1
14	630650600	630650600	Bush ø45/ø31 L=50mm	1
15	690141010	690141010	Wheel 10.0/80x12,8 pr	2
16	630640400	630650400	Outer section, left, for axle ø50	1
16	630640900	630650900	Outer section, left, for axle ø60	1
16	630640300	630650300	Outer section, right, for axle ø50	1
16	630640800	630650800	Outer section, right, for axle ø60	1
17	630532300	630532300	Rivet ø30 mm L=85mm	2

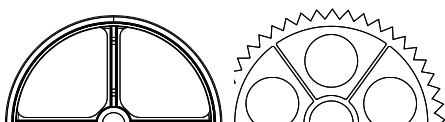
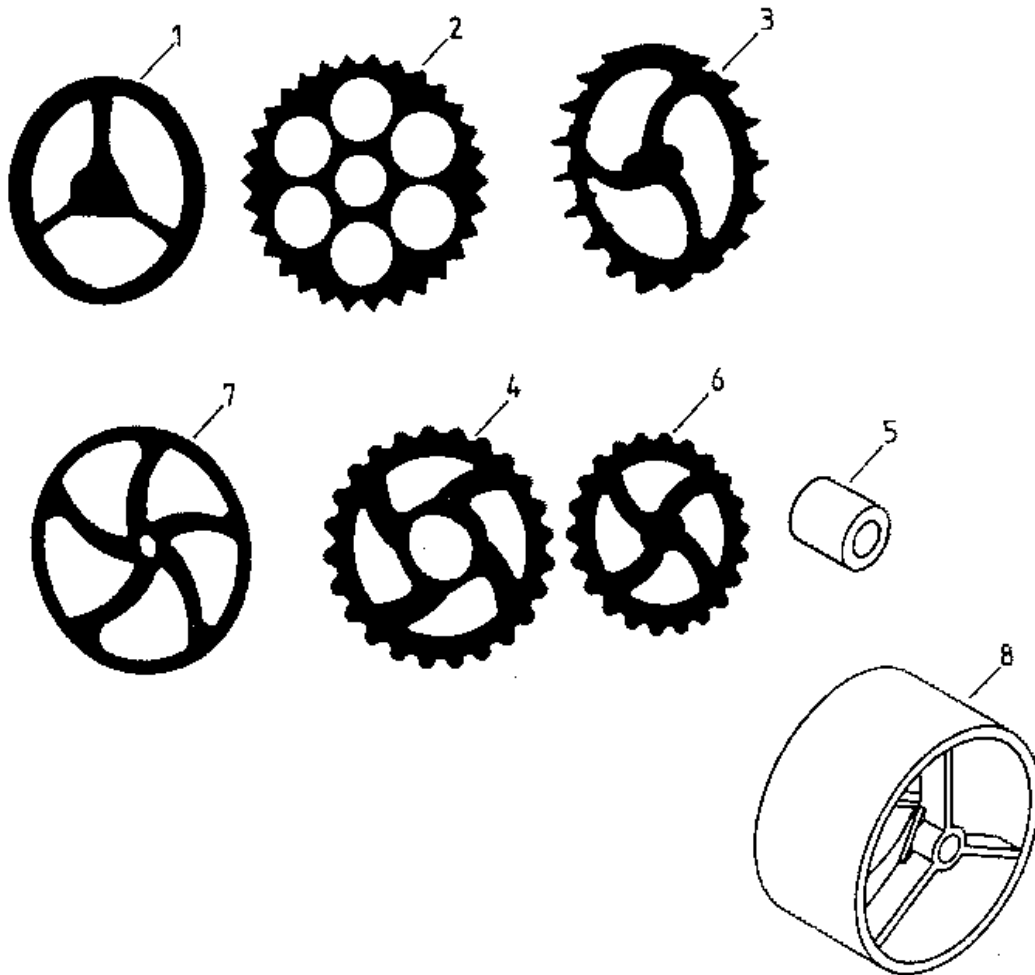
17a	690101101	690101101	Bolt M12x25	2
17b	630532600	690532600	Locking sleeve for rivet head	2
18	690136029	690136029	Lubrication nipple M8x1,25	3

5.2 Axles and Bearings

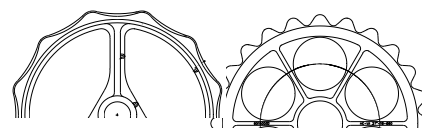


Pos.	Item No 5,4 m	Item No 6,3 m	Designation	Qty
1	678542370		Axel f/centre section Ø50 St70 L=2370	1
1	678541940		Axel f/side section Ø50 St70 L=1940	2
1	678652370		Axel f/centre section Ø60 St70 L=2370	1
1	678651940		Axel f/centre section Ø60 St70 L=1940	2
1		678542370	Axel f/centre+side section Ø50 St70 L=2370	3
1		678652370	Axel f/centre+side section Ø60 St70 L=2370	3
2	630552300	630552300	Stop ring w/bolt Ø50 mm	6
2	630651200	630651200	Stop ring w/bolt Ø60 mm	6
2a	690101080	690101080	Bolt M10x25	12
3	690140801	690140801	Bearing, SFT45	6
3	690140804	690140804	Bearing SFT60	6
3a	690103128	690103128	Bolt M16x55	12
3b	690117008	690117008	Faceted disc Ø 16	12
3c	690113008	690113008	Self-locking nut	12

5.3 Roller Rings



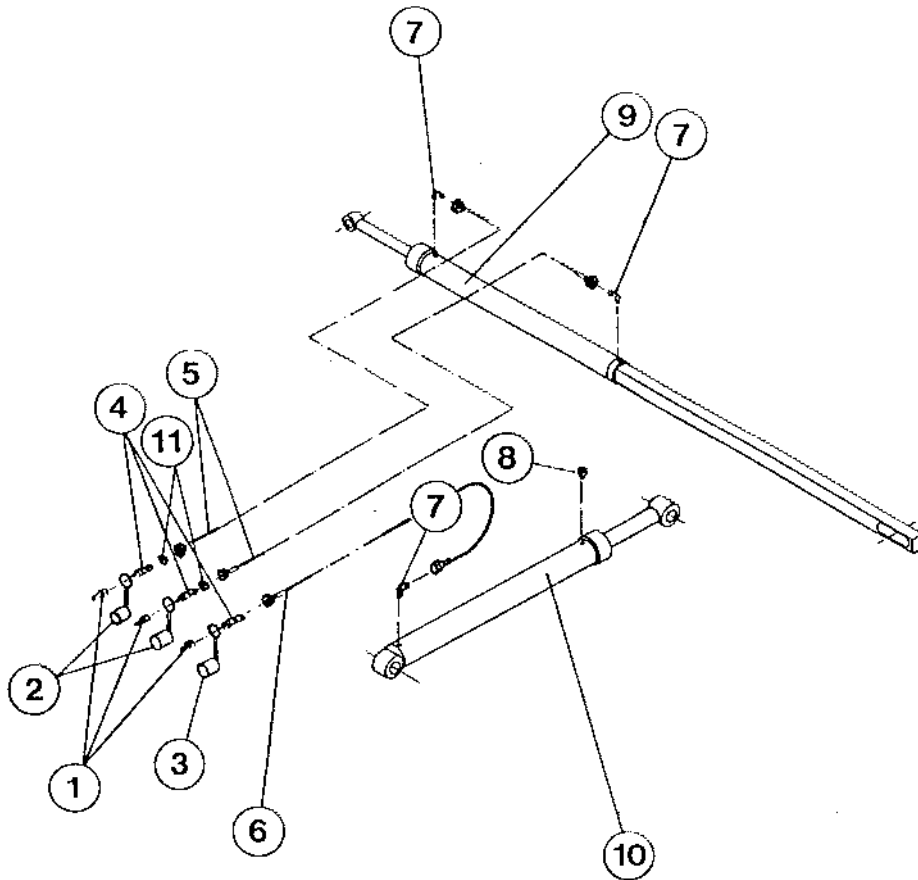
Aggressive



Lenient

Pos.	Item No.	Designation	Qty. 5.4	Qty. 6.3
1	690150001	Cambridge smooth ring 15" (ø50) Aggressive	55	63
2	690150004	Cambridge serrated ring 15" (ø50) Aggressive	52	60
1	690150031	Cambridge smooth ring 18" (ø50) Lenient	55	63
1	690150017	Cambridge smooth ring 18" (ø50) Aggressive	55	63
1	690150039	Cambridge smooth ring 18" (ø60) Lenient	55	63
2	690150033	Cambridge serrated ring 18" (ø50) Lenient	52	60
2	690150018	Cambridge serrated ring 18" (ø50) Aggressive	52	60
2	690150040	Cambridge serrated ring 18" (ø60) Lenient	52	60
1	690150019	Cambridge smooth ring 21" (ø50) Aggressive	55	63
1	690150030	Cambridge smooth ring 21" (ø60) Lenient	55	63
1	690150024	Cambridge smooth ring 21" (ø60) Aggressive	55	63
2	690150009	Cambridge serrated ring 21" (ø50) Aggressive	52	60
2	690150032	Cambridge serrated ring 21" (ø60) Lenient	52	60
2	690150025	Cambridge serrated ring 21" (ø60) Aggressive	52	60
3	690150007	Cam ring 22" (ø50)	36	42
4	690150011	Loose Crosskill ring 530 mm	26	30
5	690150012	Hub for loose Crosskill ring Ø50	26	30
5	690150035	Hub for loose Crosskill ring Ø60	26	30
6	690150010	Crosskill ring ø485 mm (ø50)	29	33
6	690150034	Crosskill ring ø485 mm (ø60)	29	33
7	690150013	Corrugated ring ø500 mm (ø60)	113	129
8	690150028	Flat ring ø505 mm (ø60)	19	21

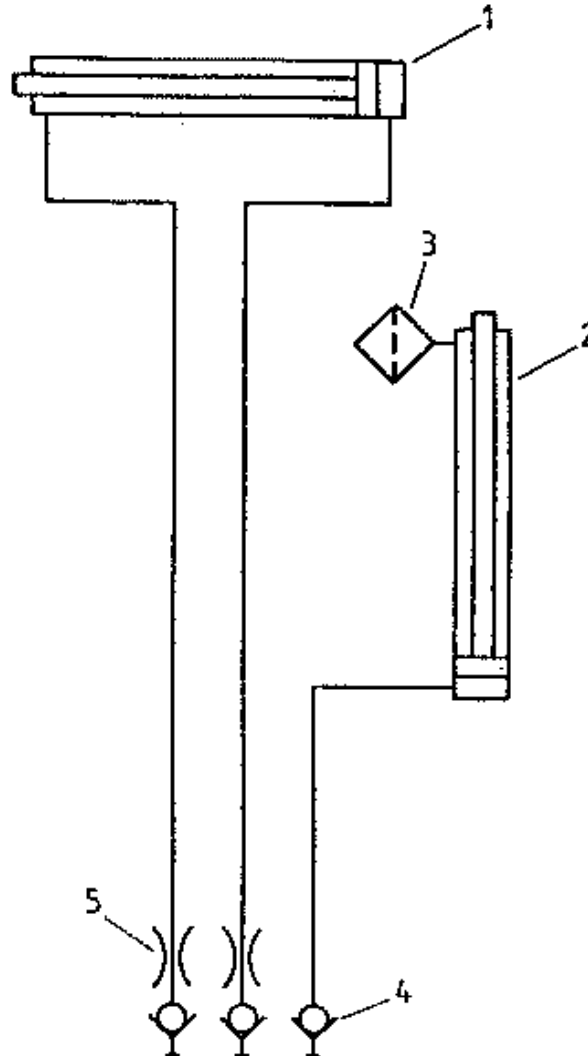
5.4 Hydraulics 5.4 m and 6.3 m



Pos.	Item No.	Designation	Qty.
1	690203001	Quick-coupling ½" E402	3
2	690210001	Dust capC51 blue	2
3	690210002	Dust cap C51 red	1
4	690203003	Straight joint GA10LR ½ O.D.	3
5	690201107	Hose 1/4" L = 5350 mm	2
6	690201066	Hose 1/4" L = 3300 mm	1
7	690203006	Angle joint , VA10LK 3/8 O.D.	3
8	690206001	Filter plug F38 3/8"	1
9	690200020	Wing cylinder 70/40x600 ø30	1
10	690200120	Cylinder 80/40x600 ø30/ø30	1
11	690207901	Throttle 1mm	2

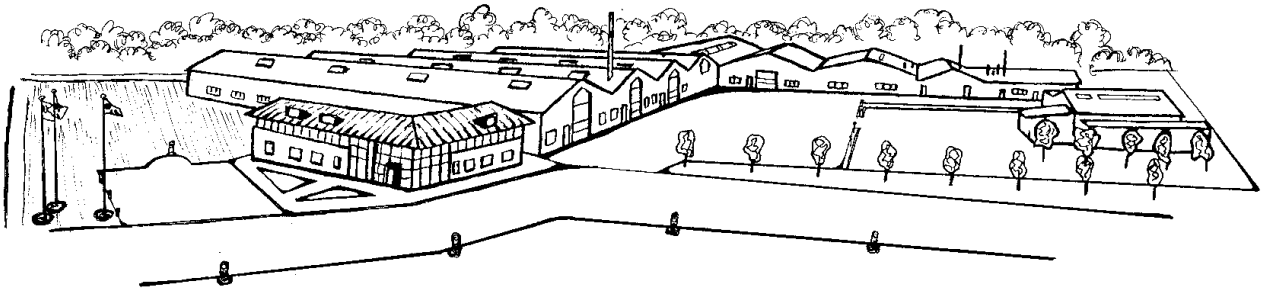
6. Hydraulic Diagram

6.1 Hydraulic Diagram for 5.4 m and 6.3 m



Pos.	Item No.	Designation	Qty.
1	630650600	Wing cylinder 70/40x600 \varnothing 30	1
2	690200120	Cylinder 80/40x600 \varnothing 30/ \varnothing 30	1
3	690206001	Filter plug F38 3/8"	1
4	690203001	Quick-coupling E402	3
5	690207901	Throttle 1 mm	2

7. Notes



The design is subject to modification without notice.